

Four-part shackles are the standard for securing equipment at height. Missing, incorrect, or damaged cotter pins can lead to shackle failure.

## DEIS Shackle Safety Nuts

Replace the conventional cotter pin and nut with a rugged failsafe fastener that installs by hand in seconds without tools.



# DEIS PRODUCTS

## Make Lifting & Rigging Hard to Get Wrong And Easy to Get Right

An engineered solution to address human performance variability

Contact us at

 512-584-0653

 [j.gahr@deisproducts.com](mailto:j.gahr@deisproducts.com)

 [www.deisproducts.com](http://www.deisproducts.com)

website under construction



## Product Design

- Failsafe, redundant mechanism ensures positive locking
- 316 stainless material resists corrosion
- Each unit serialized with material traceability
- Eliminates cotter pin which is a common failure point of the shackle system
- Designed for use with industry proven Crosby Shackles
- Lanyard ring feature available for tethering or secondary retention
- Does not change shackle or pin integrity or WLL
- Load tested, impact tested

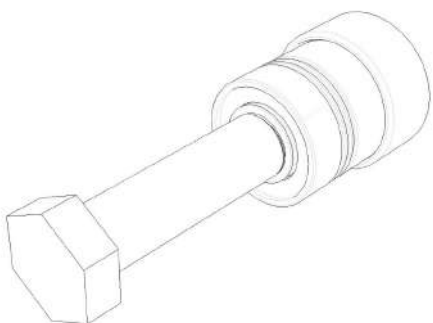
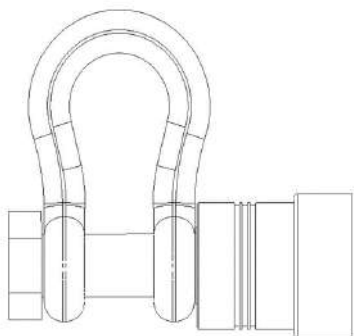
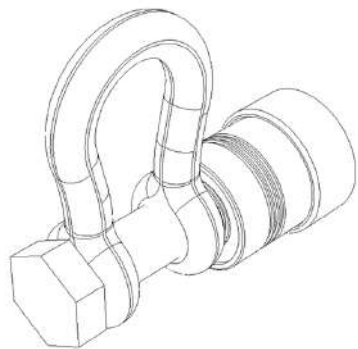
DP

DEIS PRODUCTS

# DEIS Shackle Safety Nut

Replaces Nut and Cotter on Standard Bow Shackle with Safety Bolt

- **Compatibility:** Current design for OEM Crosby 2130 shackles (5/8" & 3/4") 4-part bolt type anchor shackles
- **Material:** 316 Stainless
- **Finish:** Bright machined finish with laser engraved identifier
- **Temperature Range:** Meets or exceeds OEM temperature rating
- **Load Capacity:** Replaces nut and cotter pin only. Does not alter OEM load ratings or safety factors for shackle pin or bow



OEM Compatibility	Length	Diameter
Crosby G-2130, S-2130 G-2150, S-2150	inches	inches
5/8"	1.95	1.7
3/4"	2.05	1.8

Additional sizes upon request



Use and Compatibility Videos

Contact us at

☎ 512-584-0653

✉ [j.gahr@deisproducts.com](mailto:j.gahr@deisproducts.com)

🌐 [www.deisproducts.com](http://www.deisproducts.com)

website under construction